

# KalyxX

## BLUE LINE

Reduction of limescale formation  
with efficiency up to 76%  
+ antibacterial effect



**IPS KalyxX protects your home from limescale buildup.  
It requires no power supply, batteries, chemicals or filters.**

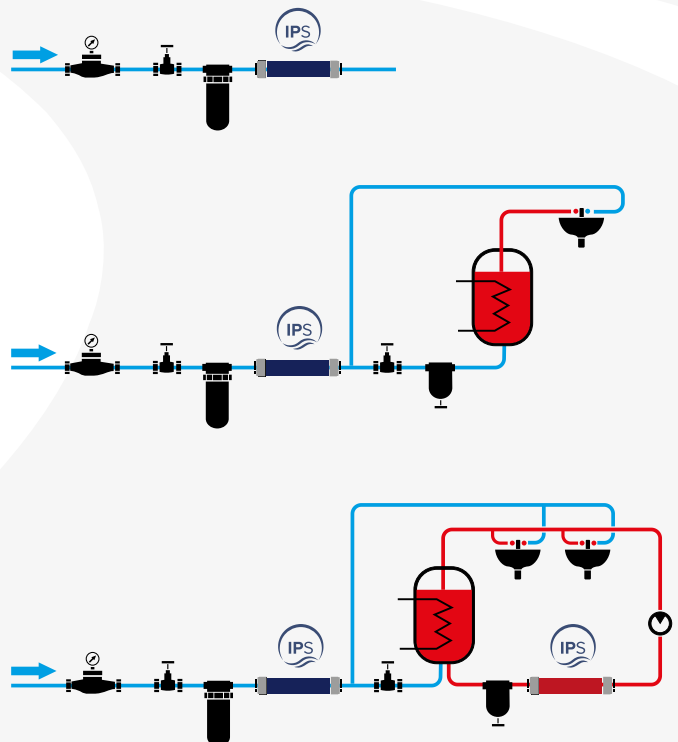
IPS KalyxX uses a patented Turbulent Galvanic Polarization (TGP®) electrode to disrupt the formation of limescale crystals on water heaters, showers, thermostatic cartridges, taps, etc. In side-by-side comparison testing, IPS KalyxX was four times more effective than the leading electronic or magnetic scale devices. IPS KalyxX is easy to install and maintenance free.

- **Connection:** Female NPT/G x Female NPT/G
- **Patented Discs Composition**
- **Maximum Flowrate:** up to 7 m<sup>3</sup>/h\*
- **Material:** Stainless Steel
- **Pipe Type:** Copper, CPVC, PVC, PEX
- **Maximum Pressure Drops:** 43 Pa – 692 Pa\*
- **Operating Temperature (inlet):** 0 °C to 95 °C  
(Optimal temperature for maximum efficiency Min/Max (inlet): 0 °C to 60 °C)

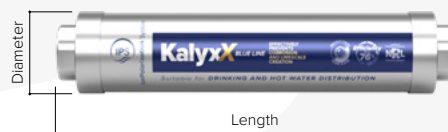
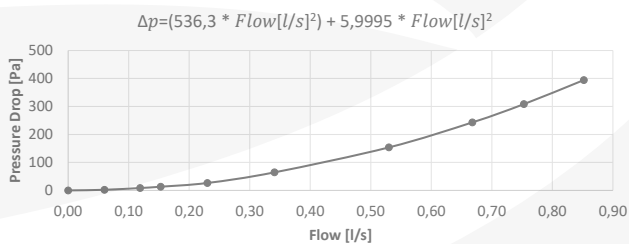
\* depends on model

# IPS KalyxX BlueLine

- Reduces creation of Limescale on water supply elements (pipework, valves, taps, shower heads, waterheating coils of home appliances) – efficiency of 76%.
- Reduce the amount of Escheria Coli bacteria up to 40% (thanks to silver electrodes).
- New Patented technology TGP® – Turbulent Galvanic Polarisation – no chemicals, no external energy.
- Suitable for cold (drinking) and hot water.
- NRL Certificate for direct permanent contact with drinking water.
- Health safety product – each part of IPS is made from material suitable for contact with drinking water.
- Safe product – Verified Hydraulic Properties.
- TSU test report about Pressure drop, Pressure resistance and Strength.
- Durable body (Stainless steel 1.4301) and internal parts – 2 years warranty, works at least 10 year without any maintenance.



## Pressure loss IPS KalyxX BlueLine



## Technical parameters

IPS KalyxX	Connection	Diameter (mm)	Length (mm)	Weight (g)	Max Pressure (Bar / MPa)	Max Flow (m³/hour)	Pressure Drop at Max Flow (mBar / Pa)
BlueLine 1/2" IPSKXBG12	G 1/2" (female)	Ø50	245	910	10 / 1	1	0,4405 / 43,05
BlueLine 3/4" IPSKXBG34	G 3/4" (female)	Ø50	245	890	10 / 1	3,2	4,29 / 429,08
BlueLine 1" IPSKXBG1	G 1" (female)	Ø50	251	930	10 / 1	4	6,68 / 668,76
BlueLine 5/4" IPSKXBG54	G 5/4" (female)	Ø50	480	2 400	10 / 1	5	13,36 / 1 337,52
BlueLine 6/4" IPSKXBG64	G 6/4" (female)	Ø50	480	2 500	10 / 1	7	13,36 / 1 337,52