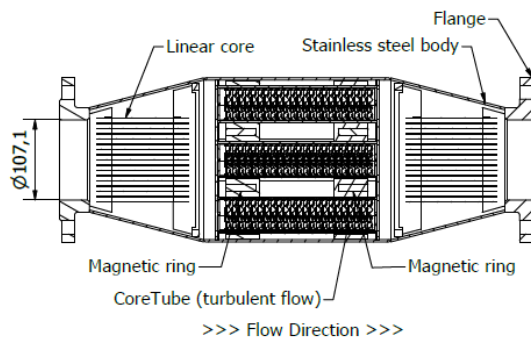
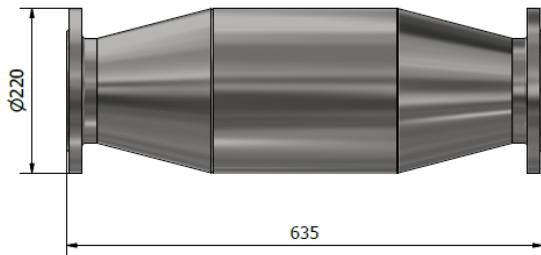


IPS Industry ACTIVE DN100

Technical datasheet

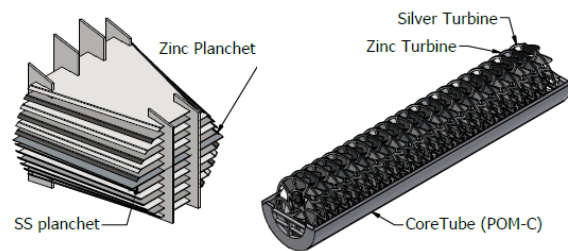
Order code:

Technical specifications



Dimensions

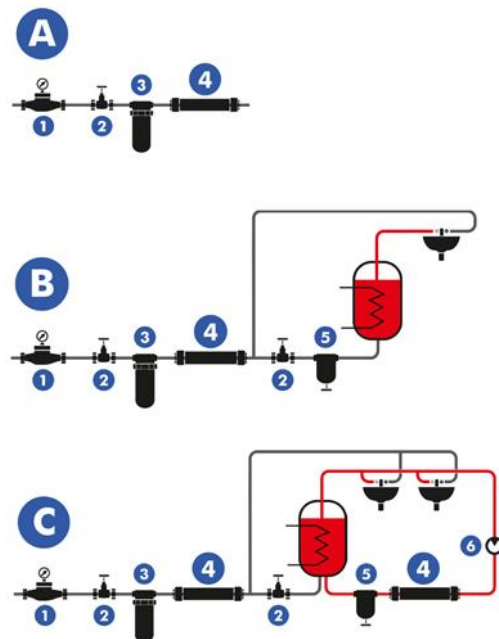
Connection	DN100 (EN 1092-1)
Length	935 mm
Main parameters	
Weight	37 kg
Max. pressure	1 Mpa / 10 bar
Max. flow rate	36 m ³ /hour



Connection diagram

Legend

A	Installation into the main water supply pipe of building (e.g. flat)
B	Installation into the water supply system with water heater without circulation of hot water (e.g. family house)
C	Installation into the water supply system with water heater and circulation of hot water (e.g. flat house)
1	Water meter
2	Stop valve
3	Mechanical water filter
4	IPS Industry Active
5	Desludger
6	Circulation water pump



Warning: Follow right FLOW DIRECTION !



Czech

TYPE CERTIFICATE

Registration number 14.064.926, Revision No. 1

issued for the manufacturer:

Swiss Aqua Technologies AG
Gewerbestrasse 9
6330 Cham, Switzerland
VAT No.: CHE-472.587.500

for the product:

Name:	Ion polarization system
Type designation:	IPS Plus; IPS Premium; IPS Industry; IPS Industry TGP; IPS KalyxX RedLine, BlueLine, GreenLine; IPS KlayxX Active
Modification:	DN40 - DN150, Rp $\frac{1}{2}$ " (NPT), Rp $\frac{3}{4}$ " (NPT), Rp1" (NPT), Rp $\frac{5}{4}$ " (NPT), Rp $\frac{6}{4}$ " (NPT), Rp2" (NPT)
Place of the production:	Swiss Aqua Technologies SK s.r.o., Dudkova 166, 082 32 Svinia, Slovakia
Use:	Distribution systems of drinking, sanitary, hot and heating water inside buildings
Restriction on the use:	Water conductivity 50 up to 2000 $\mu\text{S}\cdot\text{cm}^{-2}$; salts content 50 - 2000 $\text{mg}\cdot\text{l}^{-1}$; water temperature 0 up to 99 °C; pressure up to 1 MPa; speed up to 4 $\text{m}\cdot\text{s}^{-1}$; water flow up to 100 $\text{m}^3\cdot\text{h}^{-1}$

at which the certification has been conducted pursuant to certification scheme SCH3 – based on ISO/IEC 17067, scheme 3 and in accordance with TÜV SÜD Czech certification system. The results are stated in Evaluation report file No. 14.091.221 from 02.11.2021 and 15.108.446 from 07.03.2023.

The product type mentioned above fulfils the applicable requirements of the following regulations/standards which were the basis for its evaluation:

STN 13 7100:1965, ČSN 13 7100:1965.

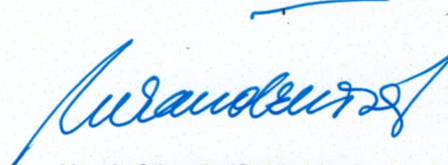
This certificate is valid till: **09.11.2026**

Details and validity conditions are stated in the annex which forms an integral part of this Certificate and contains 1 page.

This certificate is issued on the basis of voluntary certification, and it does not substitute outputs of the authorized or notified body.

Prague, 07.03.2023




 Head of the certification body

1. The product specimen was entered for evaluation and type certification on 23.09.2021.
2. The Certificate was issued on the basis of the documents provided by the client:
 - Are stated in the Evaluation report file No. 14.091.221 and 15.108.446.
3. The assessment of factory production control was performed at the product manufacturer concentrating on elements ensuring the continuation of product conformity with certification requirements.
4. Detailed technical data characterizing the product type: --
5. List of important parts of the technical documentation:
 - Is stated in the Evaluation report file No. 14.091.221 and 15.108.446.
6. Validity Conditions
 - The certificate shall apply only to its holder and products and production places mentioned therein.
 - The transfer of the certificate by its owner to third parties is inadmissible as well as the use of certificate by third parties.
 - TÜV SÜD Czech shall be notified forthwith of any product modifications compared to the certified specimen. This fact may cause the certificate continuation dependent on an additional conformity evaluation.
 - TÜV SÜD Czech shall supervise the proper functioning of the Quality System at the manufacturer within a period of once a year on the basis of a concluded contract about the controlling activity.
 - The certificate can be renewed on request.
 - The certificate shall only be reproduced complete including all the annexes.
 - The right to use TÜV SÜD Czech certification mark was not established to the certificate.
 - The certificate holder commits to keep records of all the relevant complaints concerning the conformity of the products with the requirements of regulations and standards and make those records available to the certification body TÜV SÜD Czech.
 - Not specified items (advertising, use of certification mark and certificates) are governed by the General Conditions for Product Certification, as amended.

This certificate is a revision No. 1 of the certificate No. 14.064.926, issued 09.11.2021.

